

HIGH BAY LIGHT H2

Ultra-high efficiency
up to 145 lm/W



Note: Not all of the products indicated in this specification are DLC premium qualified, please refer to <https://www.designlights.org/searcher> for more details.

HIGH LIGHT · DURABLE · SAVE COST
60W/100W/150W/200W/240W

Suitable for Factory / Warehouse / Indoor Basketball / Court / Gym /
Shopping mall and other Industrial and Commercial venues



UFO LIGHTING INC
E-mail: info@ufo-lighting.com Web: www.ufo-lighting.com
Add: 500 Harrington Street Suite B Corona CA 92880, USA

Features

UL Listing: Suitable for wet locations

LEDs: Long-life, high-efficiency, surface mount LEDs

Lifespan: 100,000-hour LED lifespan based on IES LM-80 results and TM-21 calculations

Drivers:

60W:

Constant current, 50/60 Hz., 120-277V, 0.52A @ 120V, 0.30A @ 208V, 0.28A @ 240V, 0.22A @ 277V;

100W:

Constant current, 50/60 Hz., 120-277V, 0.84A @ 120V, 0.48A @ 208V, 0.42A @ 240V, 0.37A @ 277V;

150W:

Constant current, 50/60 Hz., 120-277V, 1.25A @ 120V, 0.72A @ 208V, 0.62A @ 240V, 0.54A @ 277V;

200W:

Constant current, 50/60 Hz., 120-277V, 1.67A @ 120V, 0.96A @ 208V, 0.83A @ 240V, 0.72A @ 277V;

240W:

Constant current, 50/60 Hz., 120-277V, 2.30A @ 120V, 1.16A @ 208V, 1.20A @ 240V, 0.88A @ 277V;

CCT: Available in 4000K, 5000K & 6000K color temperature per ANSI C78.377

Dimming: 0-10V dimming, Continuous

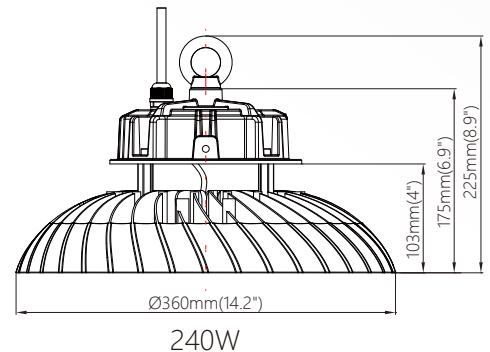
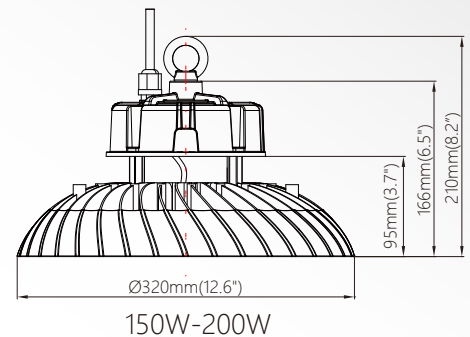
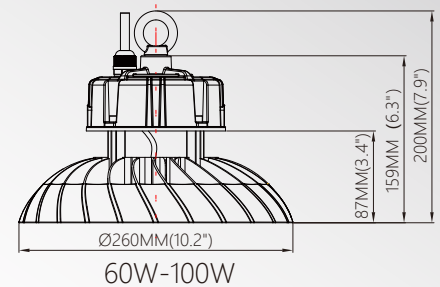
Finish: Black(standard)/Customerization.

Housing: Precision die-cast aluminum



Hanging ring (Dimension)

Unit:MM/INCH



AL Reflector for 60W-100W

AL Reflector for 150W-200W

AL Reflector for 240W



DATA SHEET						
OPTICS	Input Power (W)	60W	100W	150W	200W	240W
	Lumens Delivered @ 5000K	8,700lm	14,500lm	21,750lm	29,000lm	34,800lm
	Efficacy (lm/W)	>145lm/W				
	CRI	>80				
	IES LM-80 results and TM-21 calculations	>100,000 hours				
	CCT	Available in 4000K, 5000K & 6000K				
ELECTRICAL	Input Voltage	AC100-277V / AC120-347V ,50/60Hz				
	Max THD %	<10%				
	Power Factor	>95%				
PHYSICAL	Housing	ADC12 die-cast aluminum				
	Lens Type	60°/90°/120° Lens				
	Weight(N.W)	2.5KG/5.5LB	2.5KG/5.5LB	3.8KG/8.4LB	3.8KG/8.4LB	5.3KG/11.7LB
CERTIFICATION	Certification	UL listed, FCC,CE,RoHS,SAA				
	Environment	Wet location listed, IP65				
THERMAL	Operating Temperature	-40°F - 113°F (-40°C - 45°C)				
	Humidity	10% - 90% RH, non condensing				
QUALIFICATION	DesignLights Consortium	Listed on QPL DLC 5.1 Premium				
Surge Protection	Built-in 6kV surge protection					
Accessory	Ring bolt mounting accessory included with safety hanging kit					

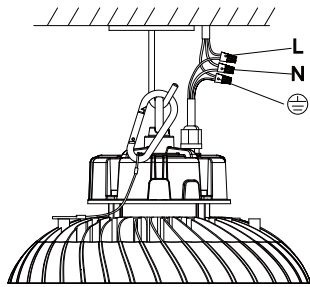
Ordering Guide

Model: HG-HL-BCD-EFGH-I, For example: HG-HL-150WL3-L5Y3-B

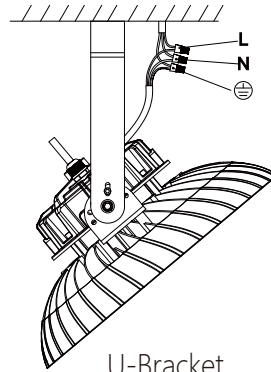
Electric Character				Optics Character			Physical Character
B	C	D	E	F	G	H	I
Rated power	Dimension	LED Chip	Input Voltage	CCT	Sensor	Beam Angle	Development Series
60W	S-D260*200mm	1-99	L:100-277Vac	4-4000K	Y-No Sensor	1-60°	B-B99
100W	M-D320*210mm		H:277-480Vac	5-5000K	L-Photocell	2-90°	
150W	L-D360*225mm		6-6000K	M-Microwave	3-120°		
200W				S-Photocell+Microwave			
240W							



Installation diagram:



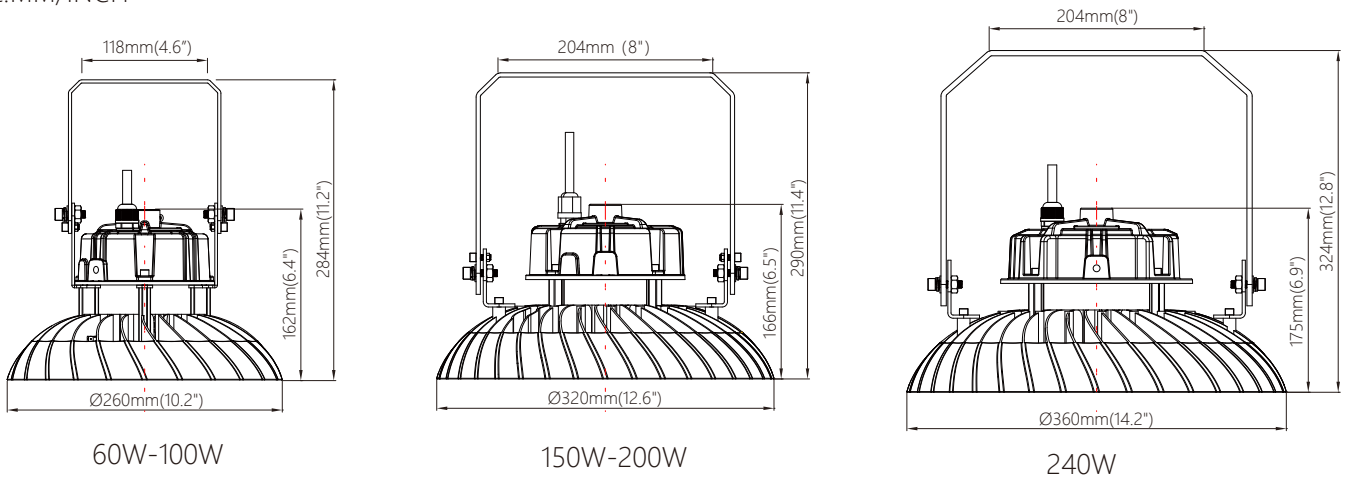
Hanging ring



U-Bracket
0-180°@30 Division

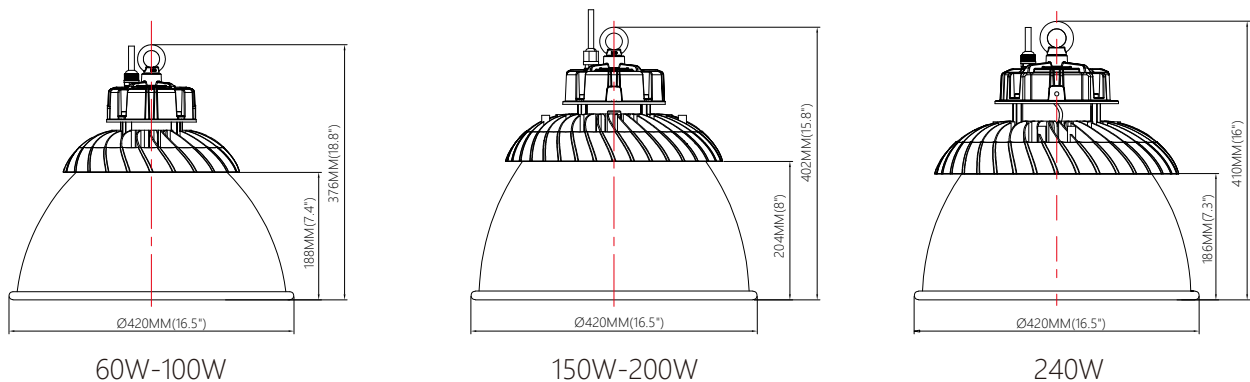
U-Bracket(Options)(Dimension)

Unit:MM/INCH



Aluminum Reflector(Options)(Dimension)

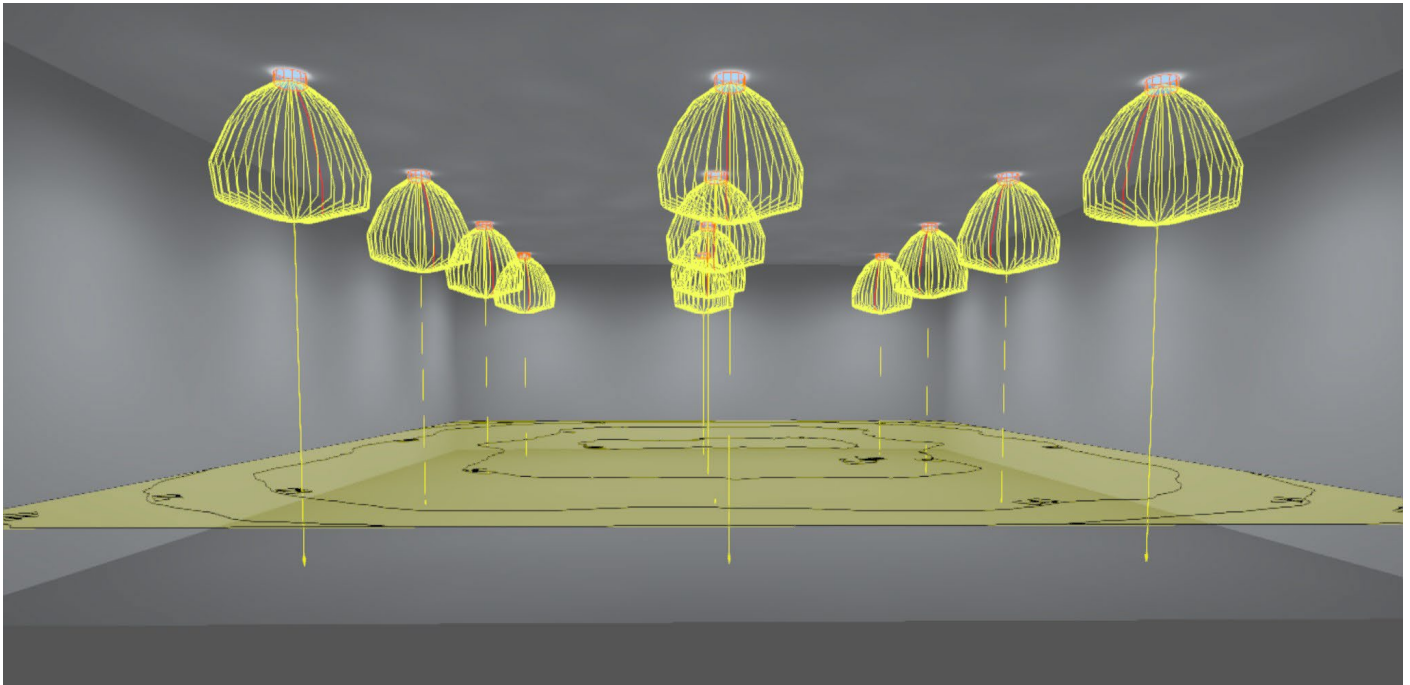
Unit:MM/INCH



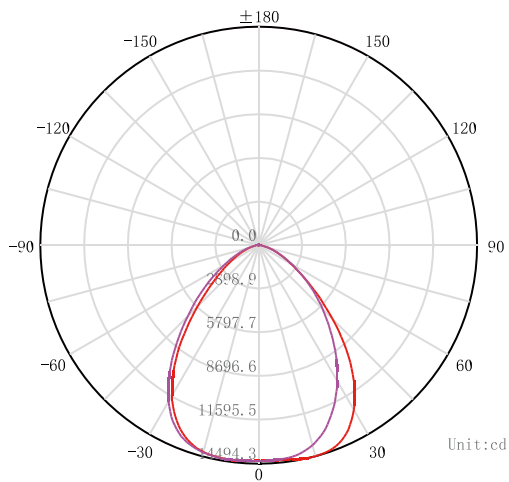
Optics

Tech.Support:

Tell us the room L,W and usage,we have an engineer team to respond the DIALUX for lights quantity and effects, IES files are available upon request.

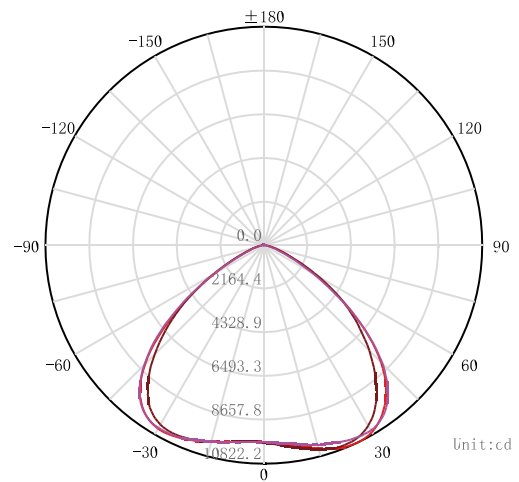


PHOTOMETRIC SPECIFICATIONS



C Plane [50%MaxAng.][10%MaxAng.]		
— C0_0_180.0 :	85.2	131.6
— C90_0_270.0 :	84.2	134.9

Curve drawing for -90°



C Plane [50%MaxAng.][10%MaxAng.]		
— C45_0_225.0 :	105.9	136.5
— C0_0_180.0 :	105.2	136.6
— C90_0_270.0 :	106.7	134.2

Curve drawing for -120°



Wiring diagram

Wiring Connection

Turn off the power, connect AC wire.

Dimmer connection (With dimmable driver.)

1. Compatible with 0-10V dimming.

2. Connect wires as below(Figure 1).

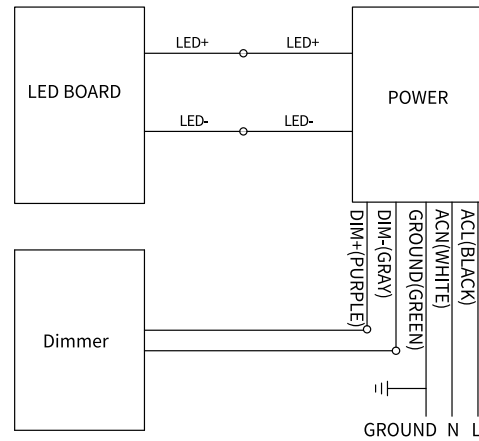


Figure 1

Package



Type	Package		
Model	60W/100W	150W/200W	240W
Packing	Carton	Carton	Carton
Packing QTY	1pcs/CTN	1pcs/CTN	1pcs/CTN
CTN SIZE	290x290x195 MM 11.4x11.4x7.7 INCH	350x350x205 MM 13.8x13.8x8.1 INCH	390x390x220 MM 15.4x15.4x8.7 INCH
N.W.	2.5KG/5.5LB	3.8KG/8.4LB	5.3KG/11.7LB
G.W.	2.9KG/6.4LB	4.4KG/9.7LB	5.9KG/13LB
20GP	1330CTN	960CTN	630CTN
40GP	2800CTN	1980CTN	1350CTN
40HQ	3640CTN	2376CTN	1800CTN

