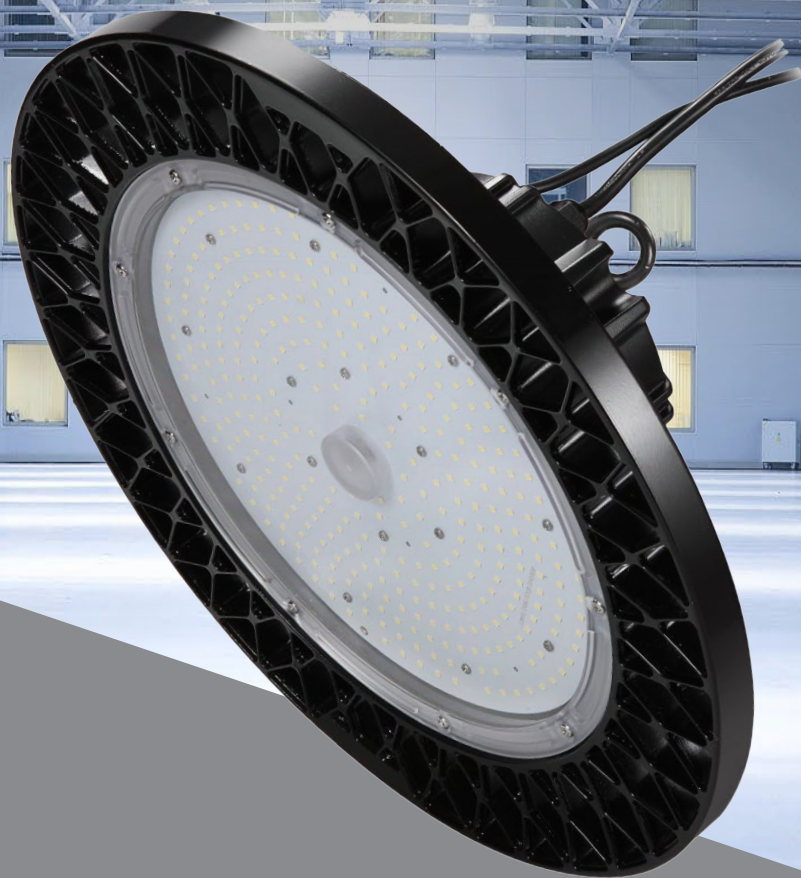


HIGH BAY LIGHT H1

Ultra-high efficiency
up to 145 lm/W



Note: Not all of the products indicated in this specification are DLC premium qualified, please refer to <https://www.designlights.org/searcher> for more details.

HIGH LIGHT · DURABLE · SAVE COST
100W/150W/200W/240W/300W

Suitable for Factory / Warehouse / Indoor Basketball / Court / Gym /
Shopping mall and other Industrial and Commercial venues



UFO LIGHTING INC
E-mail: info@ufo-lighting.com Web: www.ufo-lighting.com
Add: 500 Harrington Street Suite B Corona CA 92880, USA

Features

UL Listing: Suitable for wet locations

LEDs: Long-life, high-efficiency, surface mount LEDs

Lifespan: 100,000-hour LED lifespan based on IES LM-80 results and TM-21 calculations

Drivers:

100W:

Constant current, 50/60 Hz., 120-277V, 0.84A @ 120V, 0.48A @ 208V, 0.42A @ 240V, 0.37A @ 277V;

150W:

Constant current, 50/60 Hz., 120-277V, 1.25A @ 120V, 0.72A @ 208V, 0.62A @ 240V, 0.54A @ 277V;

200W:

Constant current, 50/60 Hz., 120-277V, 1.67A @ 120V, 0.96A @ 208V, 0.83A @ 240V, 0.72A @ 277V;

240W:

Constant current, 50/60 Hz., 120-277V, 2.30A @ 120V, 1.16A @ 208V, 1.20A @ 240V, 0.88A @ 277V;

300W:

Constant current, 50/60 Hz., 120-277V, 2.50A @ 120V, 1.44A @ 208V, 1.25A @ 240V, 1.08A @ 277V;

CCT: Vailable in 4000K, 5000K & 6000K color temperature per ANSI C78.377

Dimming: 0-10V dimming, Continuous

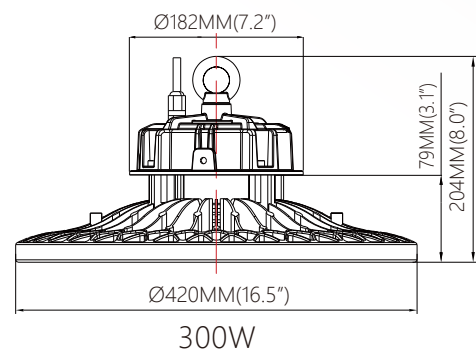
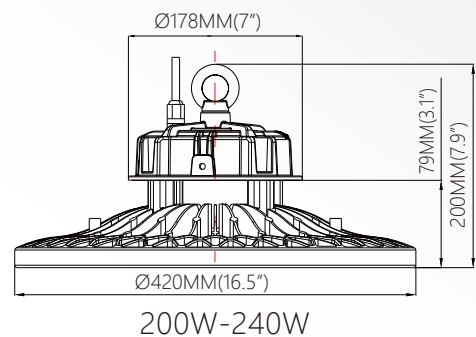
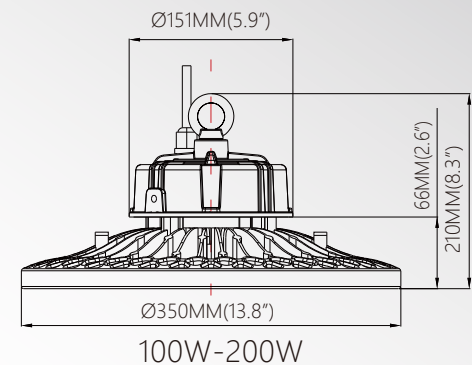
Finish: Black(standard)/Customerization.

Housing: Precision die-cast aluminum

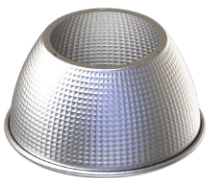


Hanging ring (Dimension)

Unit:MM/INCH



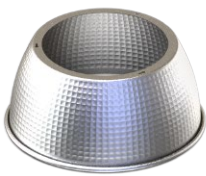
Reflectors



AL Reflector for 100W-200W



PC Reflector for 100W-200W



AL Reflector for 200W-300W



PC Reflector for 200W-300W



DATA SHEET						
OPTICS	Input Power (W)	100W	150W	200W	240W	300W
	Lumens Delivered @ 5000K	14,500lm	21,750lm	29,000lm	34,800lm	43,500lm
	Efficacy (lm/W)	>145lm/W				
	CRI	>80				
	IES LM-80 results and TM-21 calculations	>100,000 hours				
	CCT	Available in 4000K, 5000K & 6000K				
ELECTRICAL	Input Voltage	AC100-277V / AC120-347V ,50/60Hz				
	Max THD %	<10%				
	Power Factor	>95%				
PHYSICAL	Housing	ADC12 die-cast aluminum				
	Lens Type	60°/90°/120° Lens				
	Weight(N.W)	3.9KG(8.6LB)	4.2KG(9.3LB)	4.3KG(9.5LB) / 6.5KG(14.3LB)	6.5KG(14.3LB)	6.7KG(14.7LB)
CERTIFICATION	Certification	UL listed, FCC,CE,RoHS,SAA				
	Environment	Wet location listed, IP65				
THERMAL	Operating Temperature	-40°F - 113°F (-40°C - 45°C)				
	Humidity	10% - 90% RH, non condensing				
QUALIFICATION	DesignLights Consortium	Listed on QPL DLC 5.1 Premium				
Surge Protection	Built-in 6kV surge protection					
Accessory	Ring bolt mounting accessory included with safety hanging kit					

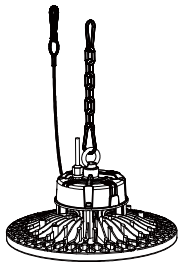
Ordering Guide

Model: HG-HL-ABCD-EFGH-IJKLM, For example: HG-HL-150WL1D-50K8023-S1

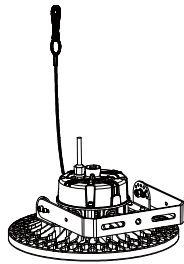
Electric Character				Optics Character				Physical Character				Sensor					
A	B	C	D	E	F	G	H	I	J	K	L	M					
Rated power	Input Voltage	Driver brand	Dimming	CCT	CRI	LED Chip	Beam Angle	Dimension	Color	Installation	Lens	Sensor					
100W	L:≤277Vac	Blank	Blank-NoN-dimmable D-Dimmable	30K-3000K	80-Ra80 70-Ra70	1-99	1-60°	S1-D350MM	BK-Black	Blank-Ring	Blank-PC	Blank-No sensor					
150W	H:>277Vac	1-5		40K-4000K			2-90°						L1-D420MM	WH-White	U-U-bracket	G-Glass	M-Motion sensor
200W				50K-5000K			3-120°										
240W				50K-5000K													
300W																	



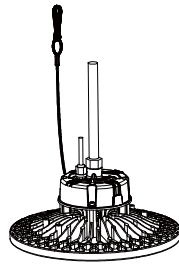
Installation Method:



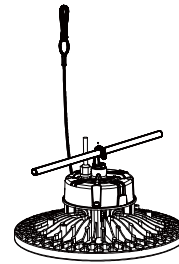
Ceiling with Loop



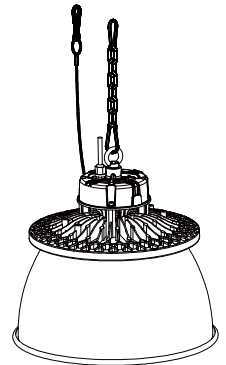
U-Bracket Mounting



Pendant Mounting



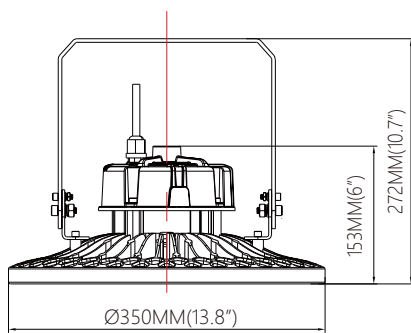
Ceiling with Hook



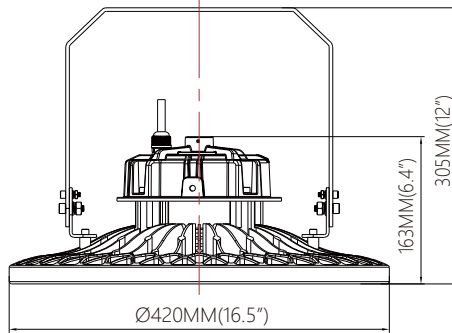
Ceiling with Reflector

U-Bracket(Options) (Dimension)

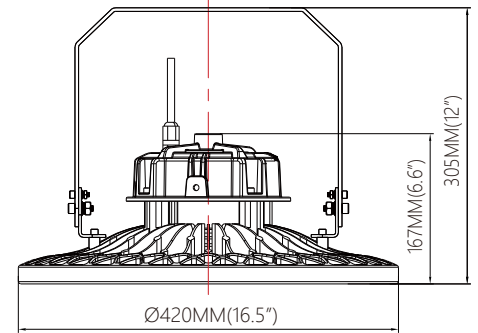
Unit:MM/INCH



100W-200W



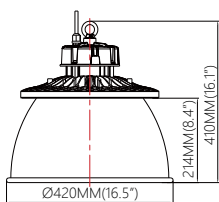
200W-240W



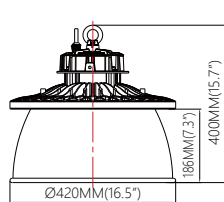
300W

Reflectors(Options) (Dimension)

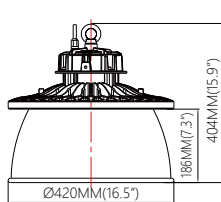
Unit:MM/INCH



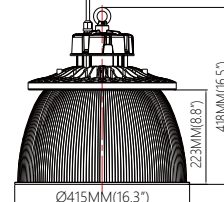
AL Reflector for 100W-200W



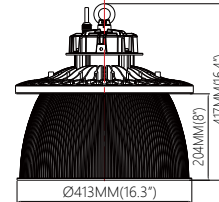
AL Reflector for 200W-240W



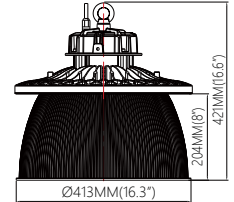
AL Reflector for 300W



PC Reflector for 100W-200W



PC Reflector for 200W-240W



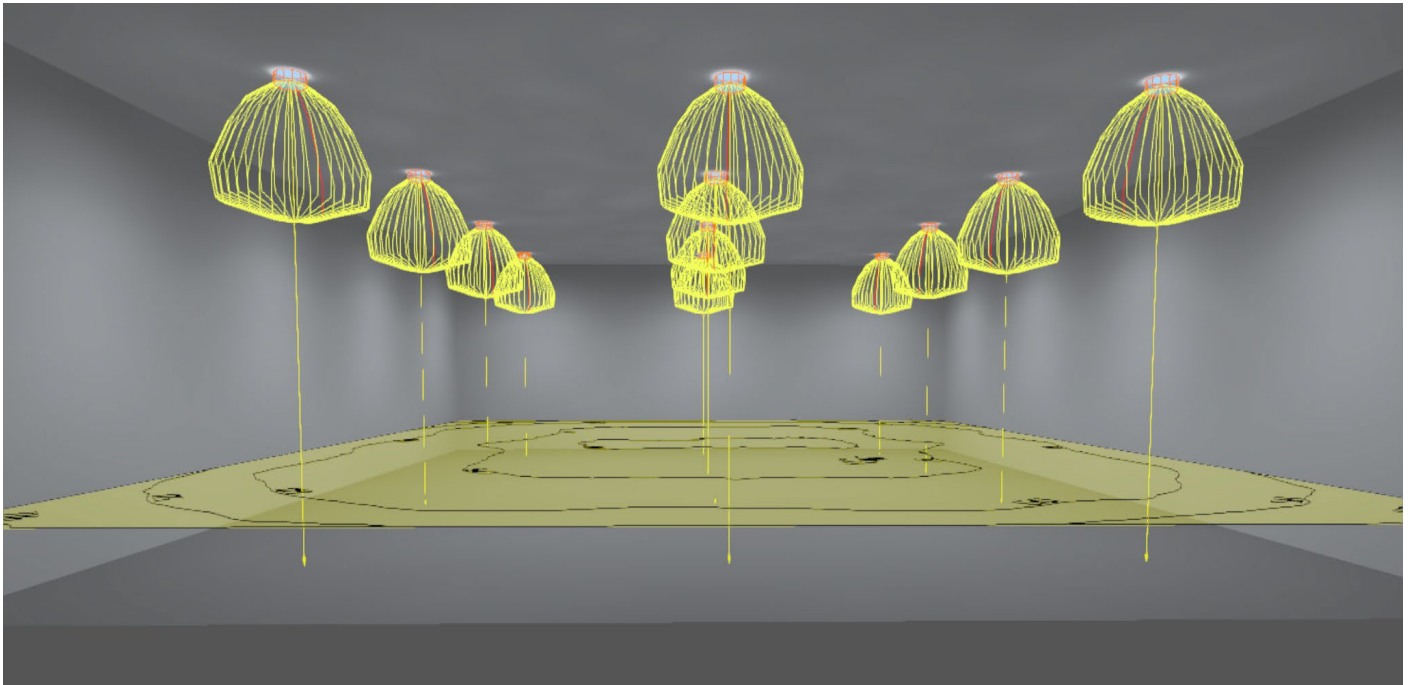
PC Reflector for 300W



Optics

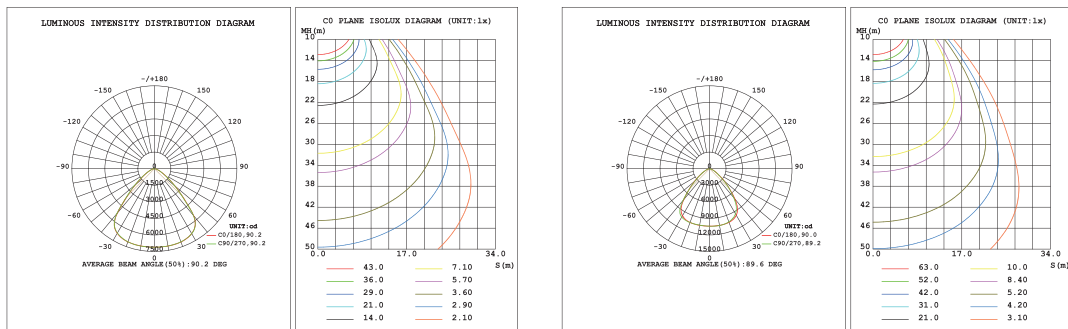
Tech.Support:

Tell us the room L,W and usage,we have an engineer team to respond the DIALUX for lights quantity and effects, IES files are available upon request.



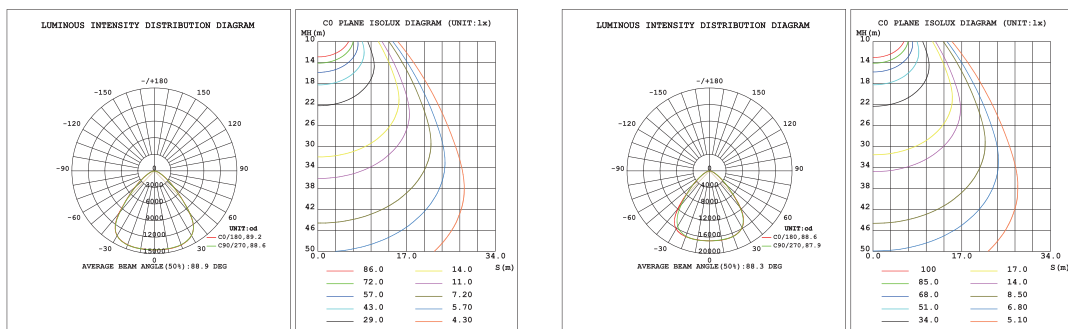
PHOTOMETRIC SPECIFICATIONS

300W



100W

150W



200W

240W/300W



Wiring diagram

Wiring Connection

Turn off the power, connect AC wire.

Dimmer connection (With dimmable driver.)

1. Compatible with 0-10V dimming.
2. Connect wires as below(Figure 1).

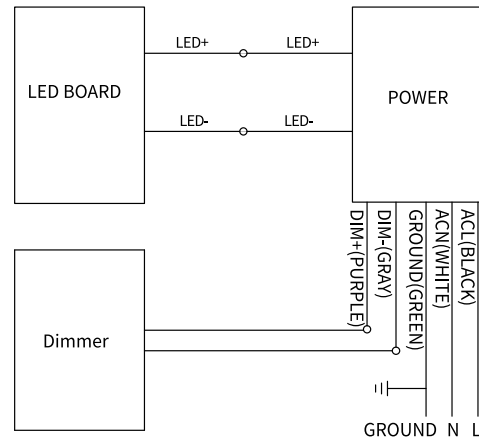
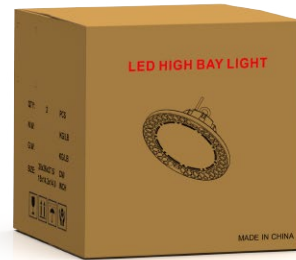


Figure 1

Package



No.	Model	Product Dimensions	N.W.	G.W.	Qty/ctn	Outer Carton Dimension	20GP/ctn	40GP/ctn	40HQ/ctn
1	HG-HL-100W-C(DE)	Ø350*210mm	3.9Kg	5.1Kg	1PCS	410 x 385 x 200 MM 16.1 x 15.2 x 7.9 INCH	700ctn	1500ctn	1950ctn
2	HG-HL-150W-C(DE)	Ø350*210mm	4.2Kg	5.5Kg					
3	HG-HL-200W-C(DE)	Ø350*210mm	4.3Kg	5.6Kg					
4		Ø420*200mm	6.3Kg	7.7Kg					
5	HG-HL-240W-C(DE)	Ø420*200mm	6.5Kg	7.9Kg					
6	HG-HL-300W-C(DE)	Ø420*204mm	6.7Kg	8.1Kg					
7	HG-HL-100W-C(DE)	Ø350*210mm	7.8Kg	9.9Kg	2PCS	380 x 360 x 375 MM 15 x 14.2 x 14.8 INCH	450ctn	940ctn	1120ctn
8	HG-HL-150W-C(DE)	Ø350*210mm	8.4Kg	10.5Kg					
9	HG-HL-200W-C(DE)	Ø350*210mm	8.6Kg	10.7Kg					
10		Ø420*200mm	12.6Kg	14.9Kg					
11	HG-HL-240W-C(DE)	Ø420*200mm	13Kg	15.3Kg					
12	HG-HL-300W-C(DE)	Ø420*204mm	13.4Kg	15.7Kg					

