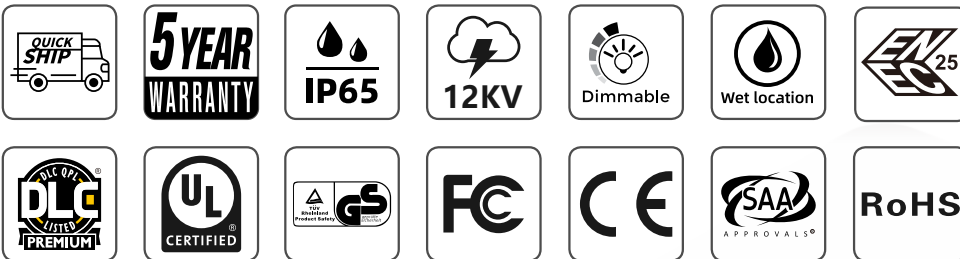


LED SHOEBOX / AREA LIGHT SL1

Ultra-high efficiency
up to 160 lm/W



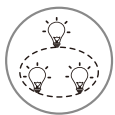
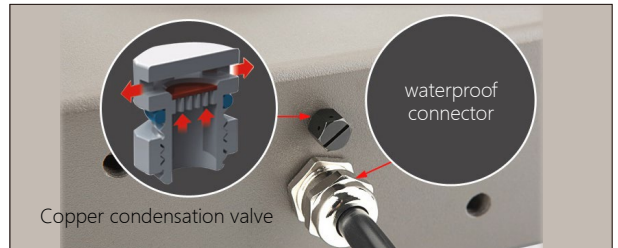
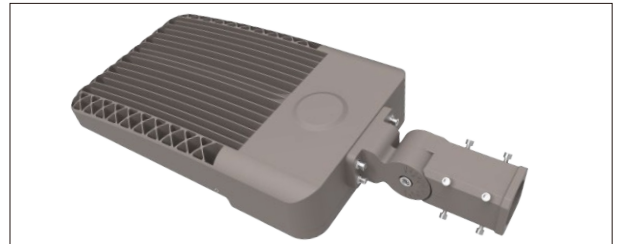
Note: Not all of the products indicated in this specification are DLC premium qualified, please refer to <https://www.designlights.org/searcher> for more details.

60W-660W



UFO LIGHTING INC
E-mail: info@ufo-lighting.com Web: www.ufo-lighting.com
Add: 500 Harrington Street Suite B Corona CA 92880, USA

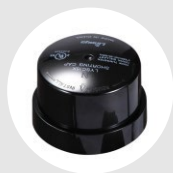
LED Shoebox/ Area Light is a device which consists of aluminum alloy frame, LED light source model and driver. It can be a replacement of HID and other traditional light fixture, provided with higher efficacy, a longer lifetime 50,000H at least or even more up to 100,000H and very lower breakdown opportunity, higher reliability and better cost than any light before.



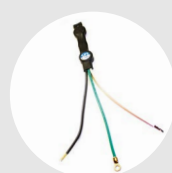
Microwave motion sensor



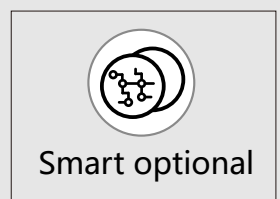
Photocell sensor



Shorting cap



Surge protector



Smart optional



A

Slip Fitter Mount



B

Direct arm



C

Round/Square Pole Mount



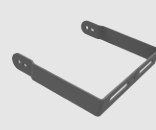
D

Wall/Mount



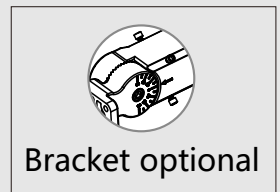
E

Trunnion



F

U-bracket



Bracket optional



Features

- European and American design style, high quality aluminum die casting, DUPONT powder painting process, round shape design, never fade, anti-cracking.
- Adopt aerodynamic design, take heat away quickly, keep low temperature for heat sink and LED chip for longer lifespan and higher light efficiency.
- A variety of installation ways, suitable for round pole, square pole, wall, ground and so on. All the screws are SUS316 stainless steel screws with stronger corrosion resistance ability.
- SMD3030 led chip, high CRI, light efficiency up to 160 lm/W, low light decay and long lifespan.
- SOSEN high efficiency series 12KV anti-surge LED driver, installed on die casting cover of led driver, take heat away quickly to keep lower temperature and longer lifespan.
- Copper condensation valve: Can Solve electrostatic adsorption dust and clogging problems, assure internal and external air pressure balance prevent water vapor from entering. extend life span.
- Use waterproof connector can prevent wire drag, and Waterproof more reliable.
- Through various of experimental tests: wind resistance level test, conduction radiation, 1.5G seismic test, UV aging test, drop, stacking test etc.

Application:

Outdoor roadway mainly
large industrial area, parking field, sidewalks
IP65,wet location
Working temperature:-40°C to +50°C

Electronic data:

Input voltage:100-277Vac, 277-480Vac
12KV surge protection
PF>90% and THD<10% (full loading)
Free of flickering

Smart function:

Dimming function with 3 in1(continual dimming)
Optional for motion sensor and photocell controller

Optics:

CCT:3000K-5000K
CRI:Ra70/Ra80
Light efficacy: up to 160 lm/W
Beam angle :Type3/Type5

Others:

Pole and wall mounting
Shell materials: Aluminum die casting & PC
Finishing: Brown/White/Black/Customization
5 years warranty

Application case

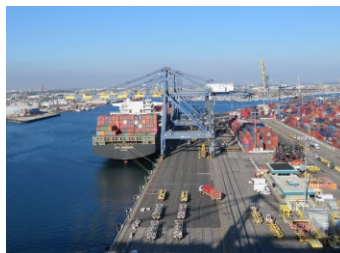
LED Shoebox / Area Light can be widely used in Parking lot. Urban roads. Industrial areas. Residential areas. Sidewalks. Schools. Gardens and etc



Inner Mongolia Hailar Airport



Parking area of Ford 4s in USA



Los Angeles Port project - USA



Denver tennis court, Colorado - USA



Technical Parameters

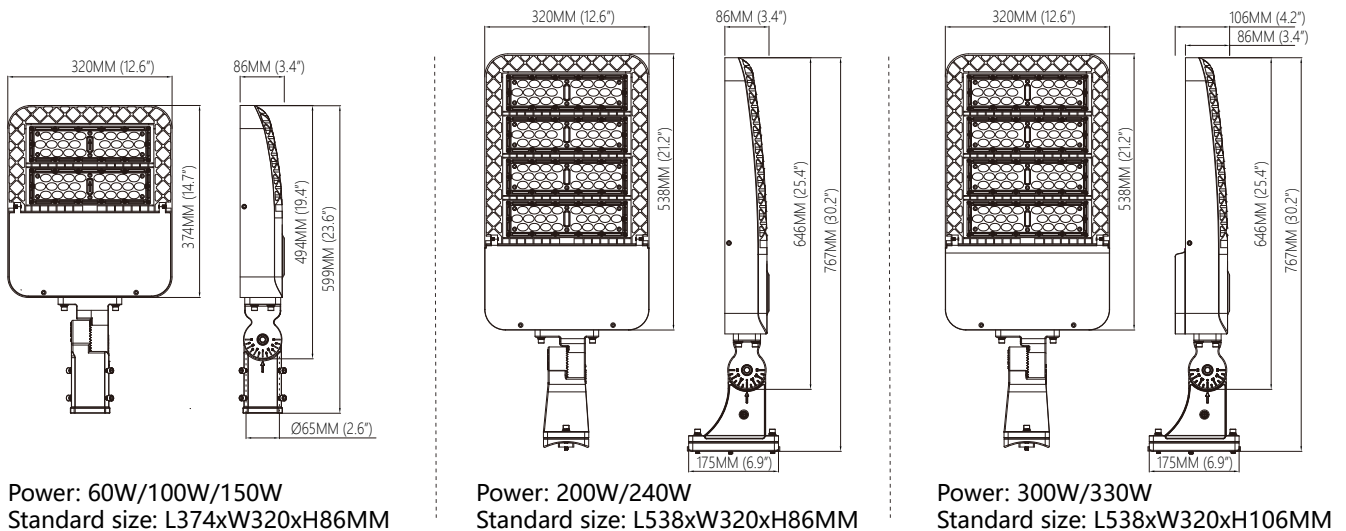
DATA SHEET												
Model	Typical Wattage (W)	Input voltage (V)	Luminous (Lumen)	Efficacy (lm/W)	Dimmable	Typical CCT (K)	CRI	Beam Angle	LED Chip	PF	IP Rate	Dimension (Bracket not included) (L*W*H)
HG-SL-60W-C-DE-F-G(HI)	60W	AC100 - 277V AC277 - 480V	7800@Ra80 9600@Ra70	130@Ra80 160@Ra70	0-10V	3000K / 4000K / 5000K	Ra70 / Ra80	TYPE3 / TYPE5	3030	>0.9	IP65	374x320x86 MM 14.7x12.6x3.4 INCH
HG-SL-100W-C-DE-F-G(HI)	100W		13000@Ra80 16000@Ra70									
HG-SL-150W-C-DE-F-G(HI)	150W		19500@Ra80 24000@Ra70									
HG-SL-200W-C-DE-F-G(HI)	200W		26000@Ra80 32000@Ra70									538x320x86 MM 21.2x12.6x3.4 INCH
HG-SL-240W-C-DE-F-G(HI)	240W		31200@Ra80 38400@Ra70									
HG-SL-300W-C-DE-F-G(HI)	300W		39000@Ra80 48000@Ra70									
HG-SL-330W-C-DE-F-G(HI)	330W		42900@Ra80 52800@Ra70									538x320x106 MM 21.2x12.6x4.2 INCH
HG-SL-400W-C-DE-F-G(HI)	400W		52000@Ra80 64900@Ra70									
HG-SL-600W-C-DE-F-G(HI)	600W		78000@Ra80 96000@Ra70									538x640x86 MM 21.2x25.2x3.4 INCH
HG-SL-660W-C-DE-F-G(HI)	660W		85800@Ra80 105600@Ra70									

Model Nomenclature

Model: HG-A-B-C-DE-F-G(HI), For example: HG-SL-330W-H-Y6-Z-SP(1M)

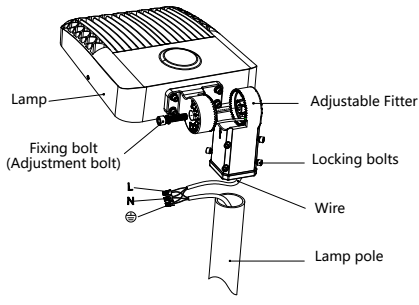
A	B	C	D	E	F	G	H	I
Product code	Rated Power	Input Voltage	Sensor	Bracket	Dimming	Surge Protective	Beam Angle	Dimension
SL-Shoobox light	60W,100W 150W,200W 240W,300W 330W,400W 600W,660W	L-100~277V H-277~480V	Y-no sensor L-photocell sensor M-Microwave sensor S-photocell sensor +Microwave sensor	1-bracket A 2-bracket B 3-bracket C 4-bracket D 5-bracket E 6-bracket H	Z-no dimming D-dimming	SP-surge protector provided Blank -no surge protector provided	1-40° 2-TYPE2 3-TYPE3 4-150° 5-TYPE5	S-374x320x86mm M-538x320x86mm /538x320x106mm L-Mx2

Dimension

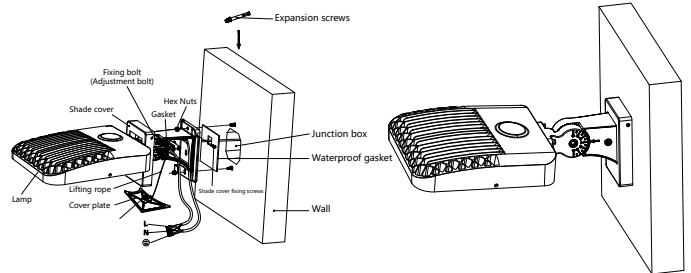


The Installation diagram

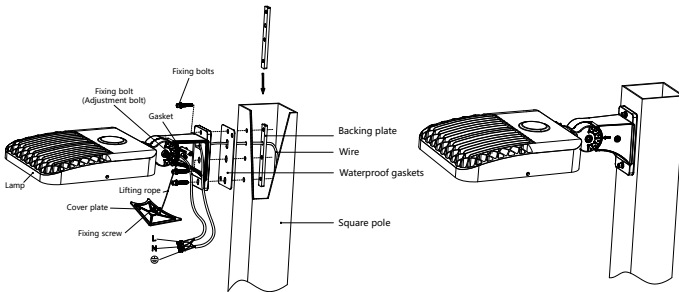
1. Slip fitter mount (Adjustable Angle: $-90^{\circ} \sim +90^{\circ}$)



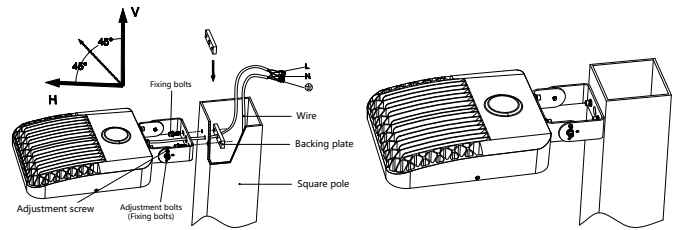
4. Wall Mount (Adjustable Angle: $-90^{\circ} \sim +90^{\circ}$)



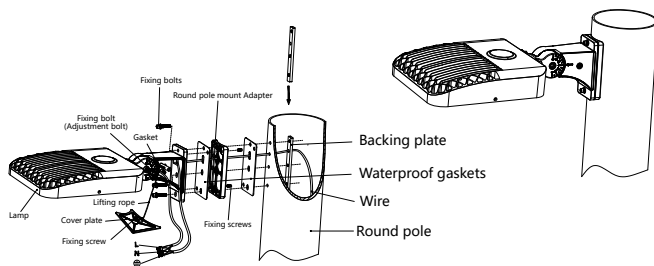
2. Adjustable Square (Adjustable Angle: $-90^{\circ} \sim +90^{\circ}$)



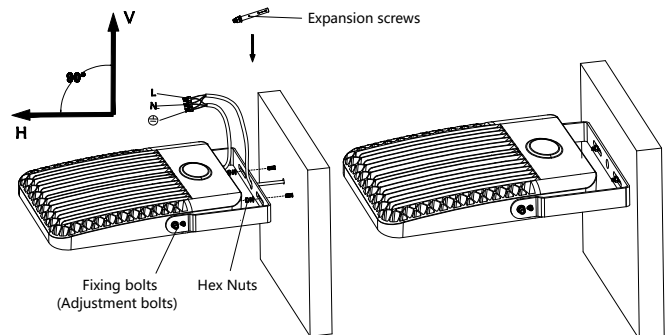
5. Trunnion (Adjustable Angle: $-90^{\circ} \sim +90^{\circ}$)



3. Round Pole Mount (Adjustable Angle: $-90^{\circ} \sim +90^{\circ}$)



6. U-bracket (Adjustable Angle: $-90^{\circ} \sim +90^{\circ}$)



Notice For User

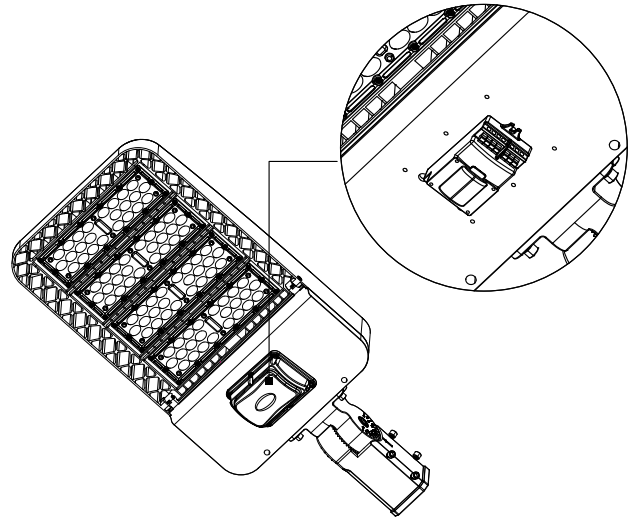
1. Read the installation instructions before install the luminaire.
2. The input voltage and lamps should be matched, after connecting the power line, please make sure the wiring section is insulated.
3. No-professionals, must not install and disassemble the lamps.



Option installation

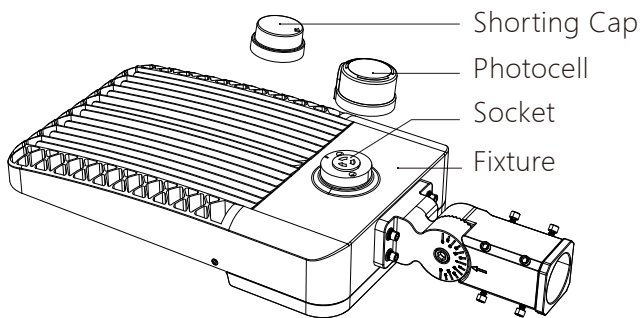
Microwave motion sensor

- Automatic switching or dimming when used in combination with 1-10V dimmable LED drivers or ballasts.
- Built-in daylight sensor.
- 1-10V interface can match up with Merrytek stand-alone daylight sensor MS01 and achieve daylight harvesting.
- compact size makes it suitable to fix within most luminaires.
- Detection area, time delay and daylight threshold can be precisely set via DIP switch.
- wide detection area, range up to 16m in diameter.
- support higher mounting height 15m Max.
- optional surface mounting and base mounting

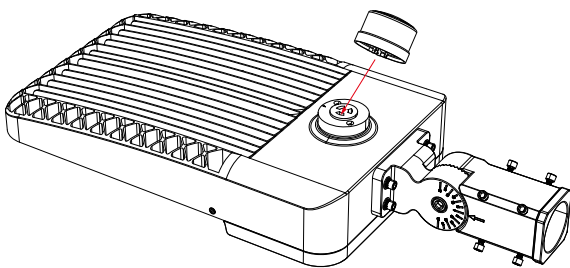


Instructions for Photocell

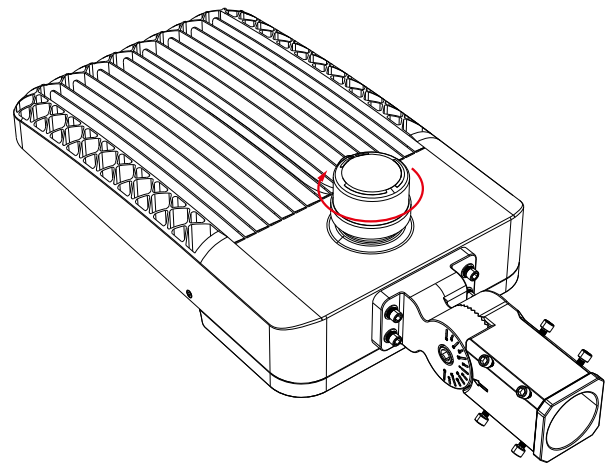
When the photocell function is required, photocell should be installed on the back of fixture;
When it's not required, shorting cap should be installed on the back of fixture.



Step1
Shorting cap or photocell is matched to the base holes.



Step2
Turn the shorting cap or photocell clockwise.



Optics

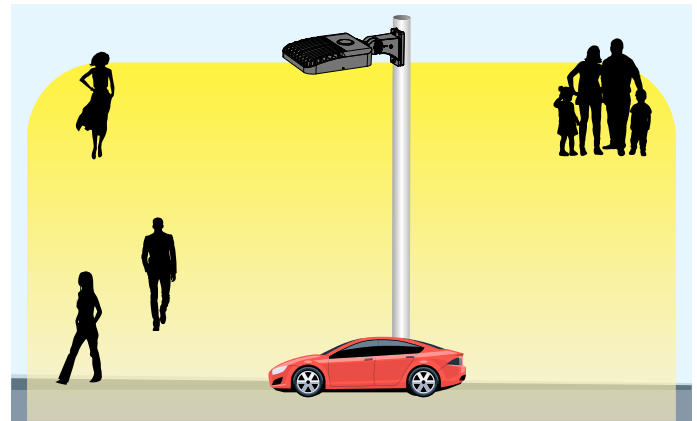
Tech.Support:

Tell us the room L,W and usage,we have an engineer team to respond the DIALUX for lights quantity and effects, IES files are available upon request.

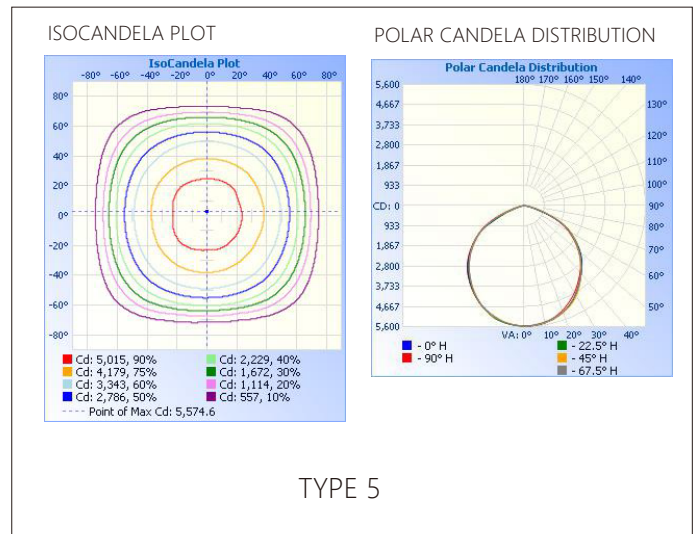
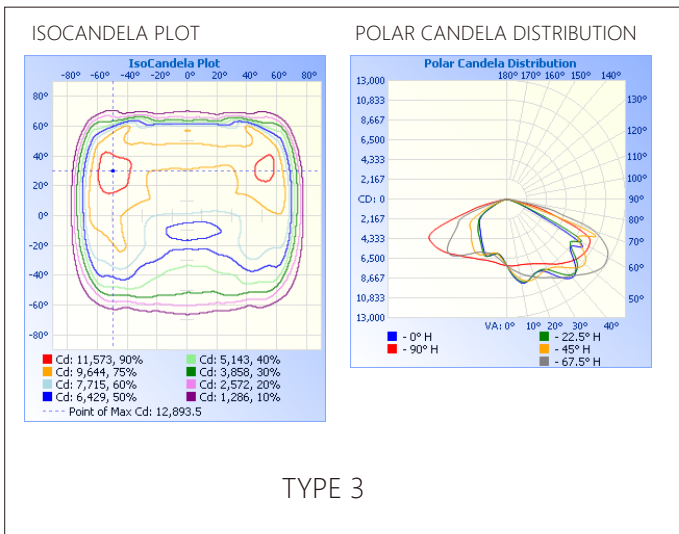
Photometry TYPE3



Photometry TYPE5



PHOTOMETRIC SPECIFICATIONS

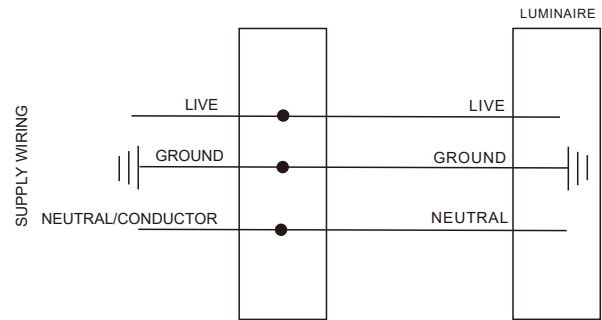


Wiring diagram

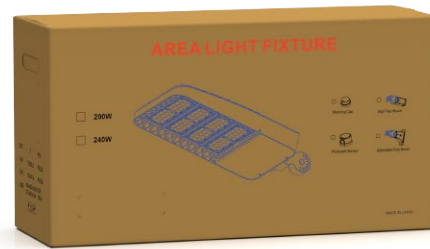
Wiring Connection

Turn off the power, connect AC wire.

- a. For 100/277V connect the black fixture lead to the voltage supply (for 200/480V wiring)
- b. For 100/277V connect the white fixture lead to the neutral supply (for 200/480V wiring)
- c. Connect the green or green / yellow ground lead to ground.



Package



No.	Model	Typical Wattage (W)	N.W.	G.W.	Qty/ctn	Outer Carton Dimension	20GP/ctn	40GP/ctn	40HQ/ctn
1	HG-SL-60W-C-DE-F-G(HI)	60W	6.5KG	7KG	1PCS	538 x 350 x 147 MM	890ctn	1856ctn	2272ctn
2	HG-SL-100W-C-DE-F-G(HI)	100W	6.5KG	7KG					
3	HG-SL-150W-C-DE-F-G(HI)	150W	6.5KG	7KG					
4	HG-SL-200W-C-DE-F-G(HI)	200W	8.5KG	9.1KG	1PCS	703 x 360 x 147 MM	661ctn	1366ctn	1721ctn
5	HG-SL-240W-C-DE-F-G(HI)	240W	8.5KG	9.1KG					
6	HG-SL-300W-C-DE-F-G(HI)	300W	9.7KG	10.7KG	1PCS	703 x 360 x 167 MM	572ctn	1188ctn	1479ctn
7	HG-SL-330W-C-DE-F-G(HI)	330W	10KG	11KG					
8	HG-SL-60W-C-DE-F-G(HI)	60W	12.8KG	13.4KG	2PCS	535 x 220 x 365 MM	580ctn	1177ctn	1482ctn
9	HG-SL-100W-C-DE-F-G(HI)	100W	12.8KG	13.4KG					
10	HG-SL-150W-C-DE-F-G(HI)	150W	12.8KG	13.4KG					
11	HG-SL-200W-C-DE-F-G(HI)	200W	17KG	17.6KG	2PCS	694 x 236 x 365 MM	406ctn	861ctn	1120ctn
12	HG-SL-240W-C-DE-F-G(HI)	240W	17KG	17.6KG					
13	HG-SL-300W-C-DE-F-G(HI)	300W	19.4KG	20.4KG	2PCS	700 x 275 x 368 MM	351ctn	728ctn	909ctn
14	HG-SL-330W-C-DE-F-G(HI)	330W	19.5KG	20.5KG					

